

## 562.102.000 S REMOVABLE TWO-PART WATER TRAP

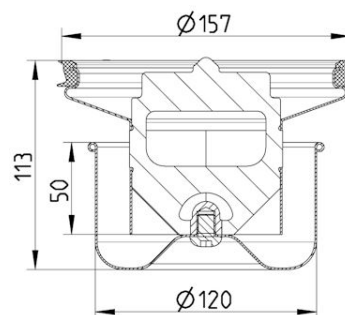
-Water seal height = 50mm  
-Stainless steel: AISI316L/EN1.4404

### Product Codes

UPC/EAN: 5705499137903  
VVS Number: 153019550  
RSK Number: 7124002  
NRF Number:  
LVI Number: 3305612

### Specification

Brand Name: BLÜCHER  
Material: AISI 316L  
Material (EN): EN 1.4404  
Max Flow (l/s): 6.0  
Minimum Flow (l/s): 3.4  
Minimum Height (mm): 113  
Outlet Diameter (mm): 157  
Series: Water trap-160  
Type: Traps  
Water Seal Height (mm): 50  
Weight (kg): 0,80



**BLÜCHER®**

A WATTS Brand