

# Specification Sheet

## 820.090.040 BEND 87.5°

-Diameter: Ø40mm  
-Stainless steel: AISI304/EN1.4301

### Product Codes


UPC/EAN: 5705499412918  
VVS Number: 160201040  
RSK Number: 1552782  
NRF Number: 2171203  
LVI Number: 0240831


### Specification


Angle (°): 87,5  
Brand Name: BLÜCHER  
Material: AISI 304  
Material (EN): EN 1.4301  
Outlet Diameter (mm): 40  
Series: Bend-87.5  
Type: Bends  
Weight (kg): 0,16

### Approvals

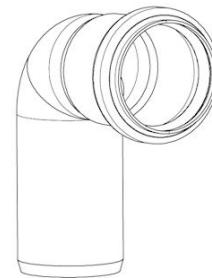
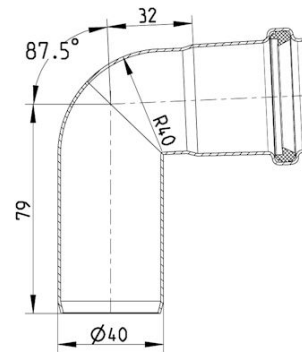
 DK - VA 2.12/19349-16

 NO - 0692-16

 SE - SITAC 4423/90-17

 FR - DTA 14.1/12-1811\*V2 EuroPipe

DE - LGA Certificate 57214035 a  
RS - 14.10112.262  
RINA - MAC128714XG EuroPipe  
PL - Hygienic Certificate - All products  
RU - 0212322 Pipes-18  
DNVGL - TAP0000023-rev2  
Achilles Certificate - 25316-19



**BLÜCHER®**

A WATTS Brand