

Specification Sheet

820.090.050 BEND 87.5°

-Diameter: Ø50mm
-Stainless steel: AISI304/EN1.4301

Product Codes

UPC/EAN: 5705499401387
VVS Number: 160201050
RSK Number: 1550085
NRF Number: 2170064
LVI Number: 0240832

Specification

Angle (°): 87,5
Brand Name: BLÜCHER
Material: AISI 304
Material (EN): EN 1.4301
Outlet Diameter (mm): 50
Series: Bend-87.5
Type: Bends
Weight (kg): 0,21

Approvals



DK - VA 2.12/19349-16



NO - 0692-16



SE - SITAC 4423/90-17

CSTB FR - DTA 14.1/12-1811*V2 EuroPipe

MARINE - R4547 NATO CODIFICATION SYSTEM

DE - LGA Certificate 57214035 a

RS - 14.10112.262

RINA - MAC128714XG EuroPipe

PL - Hygienic Certificate - All products

Bureau Veritas, 02375-H0

Lloyds Register 92-00041 (E7)

RU - 0212322 Pipes-18

ABS - 18-LD1716353-PDA

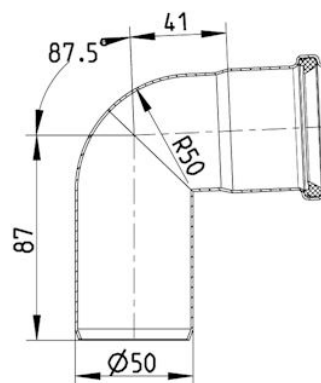
AUS - WMKT00204 - 18B

DNVGL - TAP0000023-rev2

Achilles Certificate - 25316-19

US - IAPMO File No.3247-18B

UR - 1055745



BLÜCHER®

A WATTS Brand