

# Specification Sheet

## 830.200.200 S BRANCH 87.5°

-Pipe diameter: Ø200mm. Branch diameter: Ø200mm  
-Stainless steel: AISI316L/EN1.4404

### Product Codes

UPC/EAN: 5705499411010  
VVS Number: 160221500  
RSK Number: 1551550  
NRF Number: 2170822  
LVI Number: 0251969

### Specification

Angle (°): 87,5  
Brand Name: BLÜCHER  
Material: AISI 316L  
Material (EN): EN 1.4404  
Outlet Diameter (mm): 200  
Series: Branch-87.5  
Type: Branches  
Weight (kg): 4,17

### Approvals



DK - VA 2.12/19349-16



DK - VA 2.12/19350-16



NO - 0692-16



SE - SITAC 4423/90-17

**CSTB** FR - DTA 14.1/12-1811\*V2 EuroPipe

MARINE - R4547 NATO CODIFICATION SYSTEM

DE - LGA Certificate 57214035 a

RS - 14.10112.262

RINA - MAC128714XG EuroPipe

PL - Hygienic Certificate - All products

Bureau Veritas, 02375-H0

Lloyds Register 92-00041 (E7)

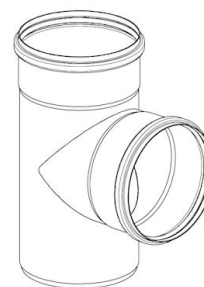
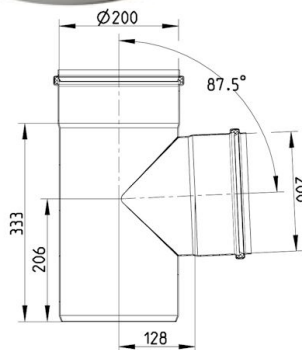
RU - 0212322 Pipes-18

ABS - 18-LD1716353-PDA

DNVGL - TAP0000023-rev2

Achilles Certificate - 25316-19

UR - 1055745



**BLÜCHER®**

A **WATTS Brand**