

# Specification Sheet

## 830.160.160 BRANCH 87.5°

-Pipe diameter: Ø160mm. Branch diameter: Ø160mm  
-Stainless steel: AISI304/EN1.4301

### Product Codes

UPC/EAN: 5705499401769  
VVS Number: 160221160  
RSK Number: 1550108  
NRF Number: 2170136  
LVI Number: 0241965

### Specification

Angle (°): 87,5  
Brand Name: BLÜCHER  
Material: AISI 304  
Material (EN): EN 1.4301  
Outlet Diameter (mm): 160  
Series: Branch-87.5  
Type: Branches  
Weight (kg): 2,40

### Approvals



DK - VA 2.12/19349-16



DK - VA 2.12/19350-16



NO - 0692-16



SE - SITAC 4423/90-17

**CSTB** FR - DTA 14.1/12-1811\*V2 EuroPipe

MARINE - R4547 NATO CODIFICATION SYSTEM

DE - LGA Certificate 57214035 a

RS - 14.10112.262

RINA - MAC128714XG EuroPipe

PL - Hygienic Certificate - All products

Bureau Veritas, 02375-H0

Lloyds Register 92-00041 (E7)

RU - 0212322 Pipes-18

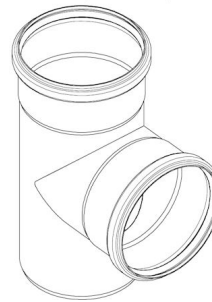
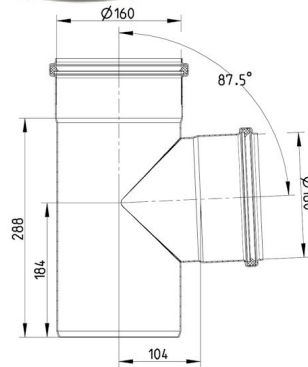
ABS - 18-LD1716353-PDA

AUS - WMKT00204 - 18B

DNVGL - TAP0000023-rev2

Achilles Certificate - 25316-19

UR - 1055745



# BLÜCHER®

A WATTS Brand